

# FLUORESCENT SIGNAGE

Fluorescent Signs with Standard & Custom Faces



Surface mount



Recessed



Smooth translucent acrylic lens with silk-screened red letters.



Door frame sealed to prevent light leaks.



Easily relamped

## Specifications

### Construction

- Welded 20 Gauge Die Formed Steel Housing
- Fully Gasketed One Piece 20 Gauge Steel Door
- All Exterior Surfaces White Powder Coated
- Standard Red Letters On White
- Plated, Slotted Machine Screw Fasteners
- Uses PL7 or PL5 Lamps (included)
- 120 Volt or 277 Volt

### Antimicrobial

- AgION™ antimicrobial protection
- Protects against bacteria colonization
- Non-organic silver technology

### Warranty

- 15 Year standard Vista warranty

### Options

- Optional 20 Gauge Stainless Steel Door
- Custom Silk Screened Lettering Available

## Specifier's Reference

Project Name	Type
Catalog No.	
Comments	



# FLUORESCENT SIGNAGE

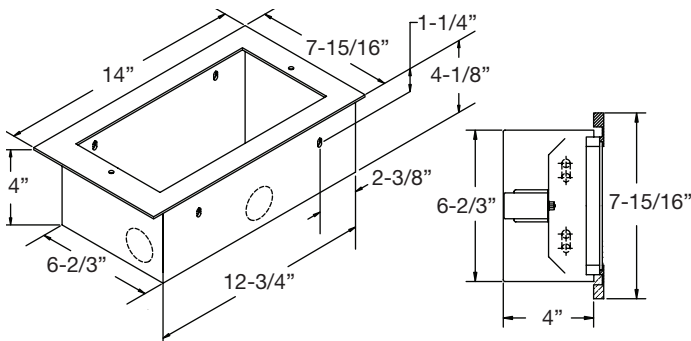
Fluorescent Signs with Standard & Custom Faces



## Ordering Information

Series	Message	Voltage	Options
Ag1004R Recessed Signage (Two 5w PL lamps)	DARK ROOM IN USE	-120V	SD
Ag1004S Surface-Mounted Signage (Two 5w PL lamps)	X-RAY IN USE	-277V	20 Gauge Stainless Steel Door
Ag1005R Recessed Signage (One 7w PL lamps)	IN USE		GW
Ag1005S Surface-Mounted Signage (One 7w PL lamps)	DO NOT ENTER		Green Letters on White Lens
	EXIT		

## Mounting & Dimensions

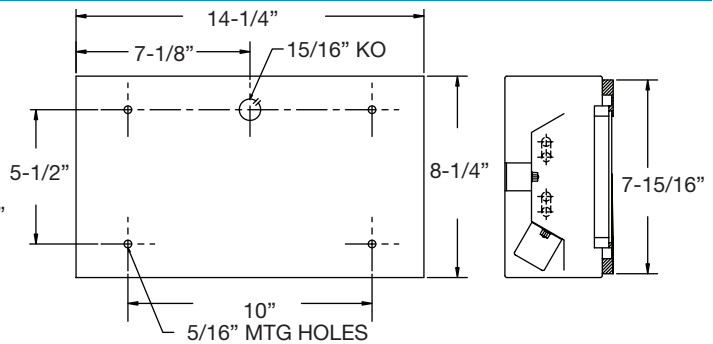


Series #1004R

- Recessed Signage (Two 5w PL lamps)

**Mounting:**

- Two 1" x 1" x 14" GA. galvanized steel "L-channels", 12" long with two 10/24 tapped holes to match adjustment slots in housing.

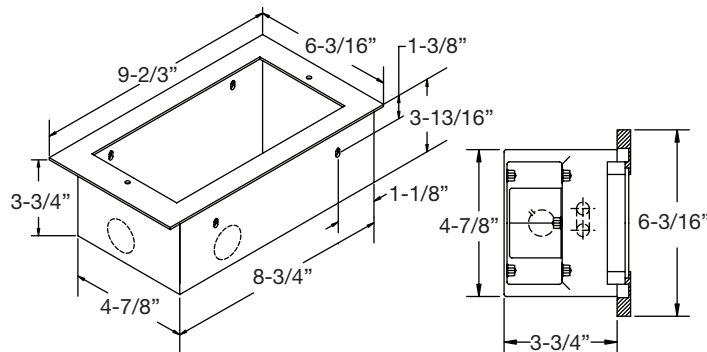


Series #1004S

- Surface-Mounted Signage (Two 5w PL lamps)

**Mounting:**

- Four 5/16" diameter mounting holes in back of housing.

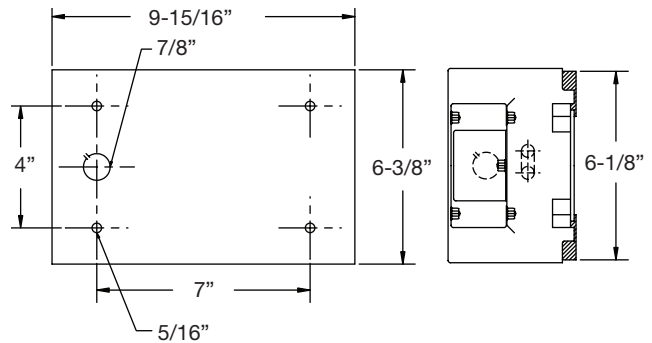


Series #1005R

- Recessed Signage (One 7w PL lamp)

**Mounting:**

- Two 1" x 1" x 14" GA. galvanized steel "L-channels", 8" long with two 10/24 tapped holes to match adjustment slots in housing.



Series #1005S

- Surface-Mounted Signage (One 7w PL lamp)

**Mounting:**

- Four 5/16" diameter mounting holes in back of housing.