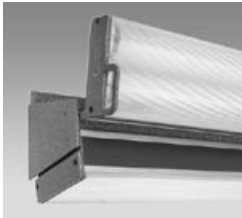
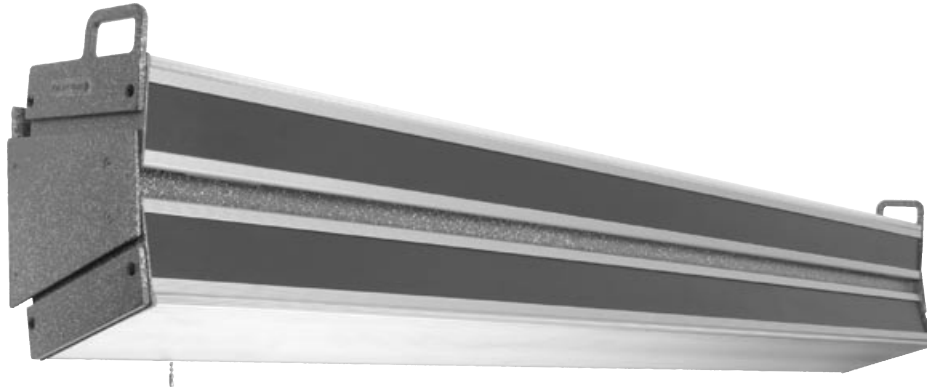


CARELUME

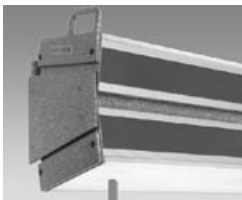
Patient Room Bedlight with Bed-Stop Safety Feature



The upright section tilts forward to become an examination & reading light, illuminating the entire patient area.



Optional Low Voltage Controller meets NEC low voltage switching requirements for multiple patient & staff control of lighting through any number of momentary contact switches in the patient room.



The Bed-Stop feature protects the fixture from damage and the patient or medical staff from injury by cutting the power to the bed if an I.V. pole strikes the lower lens.

Specifications

- Housing: 20-gauge steel, extruded aluminum lamp housing with full-length lens support channels.
- Lamps: T8 or T5 Lamps Included
- Certification: ETL(US/Canada) approved as medical/dental device for patient vicinity usage.
- Lenses: High-impact-resistant clear ribbed acrylic plastic.
- Bed-Stop Safety Feature: Two momentary contact switches immediately deactivate power to the bed motor if the Carelume is raised by IVs, traction harnesses or other hospital equipment.
- Switching: Standard location is center of fixture. ON/OFF or 3-way pull chain for one circuit control. Four-position sequential switch for upright and downlight. ON/OFF rocker for downlight only.
- Optional solid state Low-Voltage Controller (LVC).*
- Finish: Vista Haze baked enamel. Standard decor colors listed on reverse. Custom colors available.
- Antimicrobial: Agion® antimicrobial protection protects against bacteria colonization. Non-organic silver technology
- Warranty: 15 Year standard Vista warranty
- * Optional solid-state Low-Voltage Controller to accommodate switching through nurse call handset by others, or a pillow switch by VISTA.

Specifier's Reference

| Project Name | Type |
|--------------|------|
| Catalog No. | |
| Comments | |

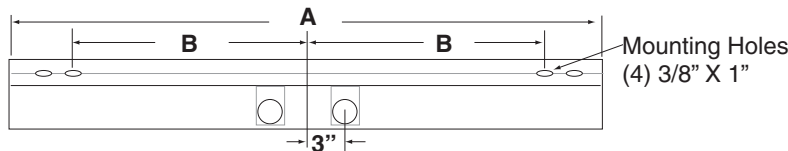


Ordering Information

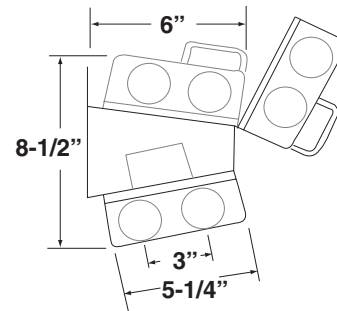
| Series | Lamps | Switching | Ballast | Voltage | Options | Decor |
|--|--------------------------------|---|--|---|---|---|
| <input type="text"/> | <input type="text" value="4"/> | <input type="text"/> | <input type="text"/> | <input type="text" value="UNV"/> | <input type="text"/> | <input type="text"/> |
| Ag3623 Nominal 3 ft. fixture length Ag3624 Nominal 4 ft. fixture length | | Specify: L (Left) R (Right) C (Center) -2 (L, R or C) On/Off pull chain -3 (L, R or C) 3-way pull chain (not available with 277V) -4 (L, R or C) 4-position pull chain -R (L, R or C) On/Off rocker -Z No switch -LVC Solid state Low-Voltage Controller (LVC) for patient control of either or both circuits through remote momentary contact switch or nurse call handset by others -PS2 Pillow switch with momentary contact switch for control of downlight only (includes LVC) -PS4 Pillow switch with single pole double throw momentary contact switch for control of both up and downlight (includes LVC) | -T8EL -T5EL (Not available in High Output) | -UNV Universal voltage ballasts | Specify: L (Left) R (Right) NLF(L or R) 5-watt PL Fluorescent nightlight RNLF(L or R) 5-watt PL Fluorescent nightlight with rocker switch -CO(L or R)++ Grounded convenience outlet -DXHD(L or R)++ Red hospital-grade duplex receptacle installed in end -DXHV(L or R)++ Ivory hospital-grade duplex receptacle installed in end -FH GLR fuse and HLR holder set (1 per ballast) -THD <10% THD ballast -GMF Slo-Blo fuse | -X Custom specified color -MW Mission White -AN Antique White -GO Golden Oak -CH Cherry |

++ No more than one duplex or two single outlets may be supplied per fixture

Mounting & Dimensions



| Nominal Length | A | B |
|----------------|---------|---------|
| 3' | 36-7/8" | 13-1/2" |
| 4' | 48-7/8" | 19-1/2" |



Photometrics

For photometrics, please visit our website at www.vistalighting.com.