



- LED light source
- Compact housing
- Cast faceplate
- White opal lexan lens
- ADA Compliant
- Very low profile



Shallow faceplate is ADA compliant.



Set screws concealed on bottom.



Optional on/off rocker switch.



Optional occupancy sensor.

Specifications

VISTA's BNL Nightlights illuminate hallways, dressing rooms, theaters, restrooms, reception areas and patient rooms in hospitals, long term care facilities and other public buildings. With two extra bright LED diodes, the unit provides bright, even distribution that aids patients and staff (or clients, customers, patrons, etc.) in finding their way in the dark. Very long life, durable faceplate and ADA compliance in a surprisingly small package!

- Very low profile faceplate and excellent light distribution allows safe passage.
- Provides illumination for nighttime mobility in hospitals and nursing homes.
- Fits in 2-3/4" deep single gang j-box.
- White, blue or amber 2.5W 140 Lumen LUXEON® Rebel LED light source.
- Injection molded wrap around opal polycarbonate lens. Optional cut off lens available.
- Durable die cast aluminum faceplate protects fixture.
- ADA compliant.
- Options include occupancy sensor, photocell, occupancy sensor AND photocell, or rocker switch.
- Wide distribution reflector extends mounting spacing in corridors.
- Mission White baked enamel standard.
- Custom colors are not available.



Optional photosensor (In Silver Color).



Optional cut off lens defines more distinct pathway.



Theater aisle light. Black finish with blue LEDs.



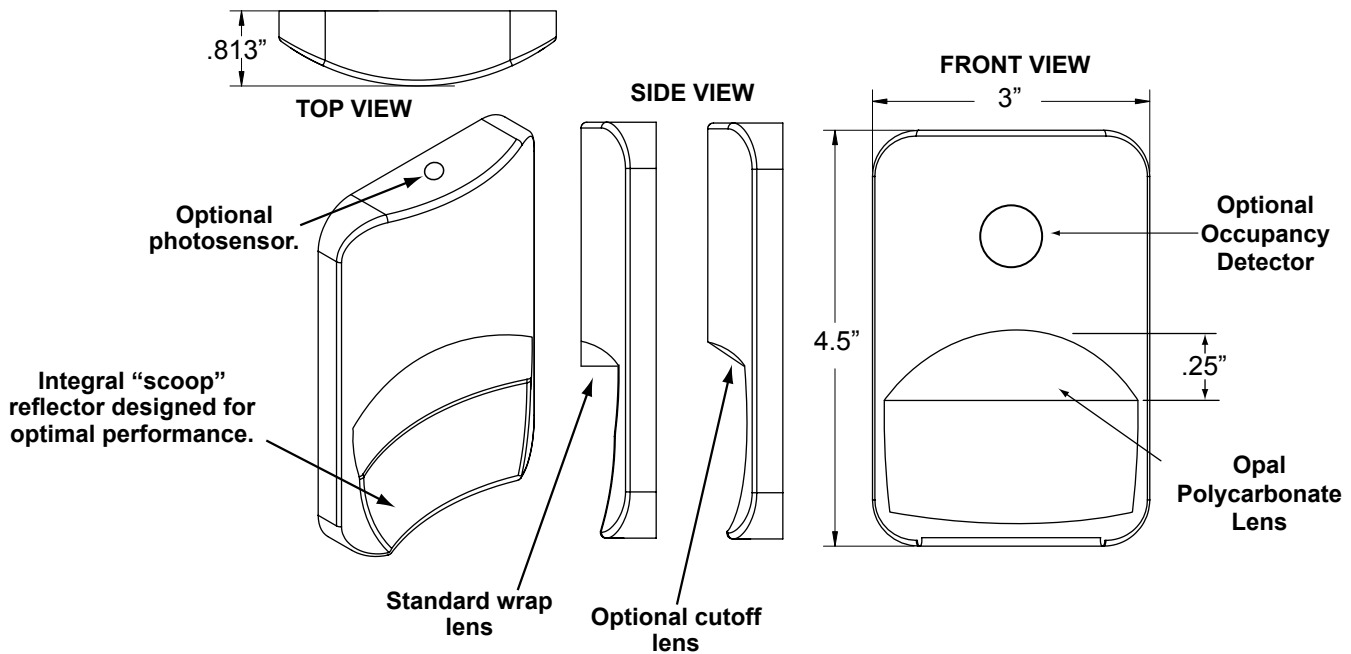
Mission White finish with amber LEDs.

Specifier's Reference	
Project Name	Type
Catalog No.	
Comments	

Ordering Information

SERIES	LED COLOR	FACEPLATE COLOR	VOLTAGE	OPTIONS
BNL				
-BNL Compact Recessed LED Nightlight	-WT White LEDs -AM Amber LEDs -BL Blue LEDs	-MW Mission White faceplate -BK Black faceplate -SV Silver faceplate	-UNV	-PC Photocell -PIR Occupancy sensor -RS On/Off rocker switch -CL Cut-off lens

Mounting & Dimensions



Photometrics

Fixture mounted 16" from floor to bottom edge of fixture. Footcandle measurements based on 1' square grid, started directly under the fixture and at centerline. Readings are for only half of the pattern and assume symmetry.

	0	1	2	3	4
0	.01	.15	.08	..007	.003
1	.78	.72	.49	.15	.08
2	1.57	1.3	.86	.42	.20
3	.97	.90	.61	.38	.22
4	.52	.50	.37	.29	.19

Note: Contact Factory For Additional Configurations.