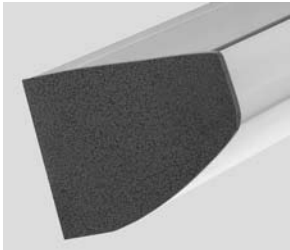


3100 SERIES

Vandal-Resistant Wall Bracket



Die-cast aluminum end caps in silver hammertone finish.



A flexible, high-impact polycarbonate lens reduces the chance of vandal damage.

Specifications

- Heavy-duty construction
- High-impact, translucent polycarbonate lens resists breakage
- Damp-location certification for lighting interior and protected outdoor public areas
- Perfect for corridors, stairwells, rest rooms, and locker rooms
- Great above counters, mirrors and bulletin boards
- Optional upright provides indirect room illumination

Construction

- Housing is heavy-gauge aluminum extrusion.
- Formed, cold-rolled steel reflector with high-reflectance baked white enamel.
- Die-cast aluminum end caps painted silver.
- 22-gauge cold rolled steel reflector finished with high reflectance baked white enamel.

Lens

- Impact and heat resistant, white translucent polycarbonate.
- Self-hinging design requires no internal or external closing hardware.

Lamps

- T8 lamps standard (supplied).
- Biax lamps optional (supplied); not available on 3' fixtures.

Ballasts

- Electronic ballasts standard

Antimicrobial

- AgION™ antimicrobial protection
- Protects against bacteria colonization
- Non-organic silver technology

Warranty

- 15 Year standard Vista warranty



Specifier's Reference	
Project Name	Type
Catalog No.	
Comments	



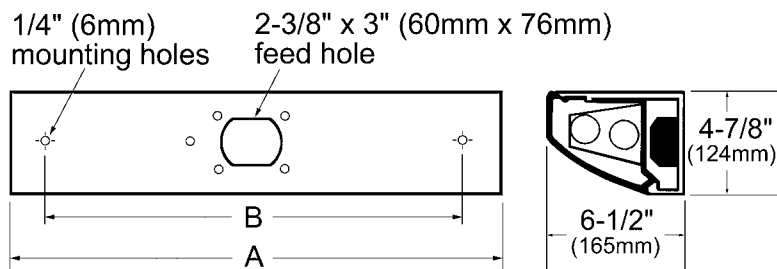
3100 SERIES

Vandal-Resistant Wall Bracket

Ordering Information

Series	Lamp Configuration	Switching	Lamp* & Ballast	Voltage	Finish	Options
Ag3132 Nominal 2' fixture length	 -1 one lamp	Specify: L (Left) R (Right) C (Center) -2 (L, R or C) On/Off pull chain	-T8EL -T8MAG -BXEL (consult factory) *Lamps supplied	-120V -277V	-X Custom Specified Finish -SV Silver Finish -WT White Finish	-UD Top lens for uplighting -CRM Continuous row mounting capability -TP Tamperproof screws to retain top plate and lens -FH GLR fuse and HLR holder set (1 per ballast) -EMG1 Emergency power pack for one circuit, one lamp -EMG2 Emergency power pack for one circuit, two lamps
Ag3133 Nominal 3' fixture length		-3 (L, R or C) 3-way pull chain				
Ag3134 Nominal 4' fixture length	 -2 two lamps	-R (L, R or C) On/Off rocker -Z No switch				

Mounting and Dimensional Data



Nominal Length	A		B	
	in	mm	in	mm
2'	24-7/8	631	17-3/4	451
3'	36-7/8	937	29-3/4	756
4'	48-7/8	1241	41-3/4	1060



Note: Contact Factory For Additional Configurations. Specifications subject to change without notice.
Some luminaires use fluorescent or high intensity discharge (HID) lamps that contain small amounts of mercury. Such lamps are labeled "Contains Mercury" and/or the symbol "Hg."
Lamps that contain mercury must be disposed of in accordance with local requirements. Information regarding lamp recycling and disposal can be found at www.lamprecycle.org.