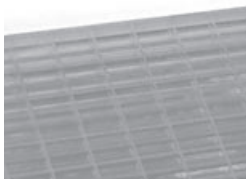


# INTRAOPERATIVE SURGICAL

Ag1900 Series Intraoperative MRI Surgical Luminaire



**Asymmetric Control Lens**  
...asymmetric lens with clear polycarbonate underlay provides tighter seal. (Optional symmetrical lens with EMI grid available)



**Silver EMI Grid**  
...reduces electrical interference with sensitive medical equipment (interior, backside view of lens).



**Sway Bracket**  
...for easy transition from grid to flange unit.



**Closed Cell Gasketing**  
...eliminates the "breeding ground incubator" associated with conventional fixtures.

**Note:** Power to all fluorescent fixtures must be turned off prior to MRI activation.

## Specifications

**Construction:** .050" thick aluminum housing with welded seams. Universal housing for plaster or drywall and up to 1-1/2" grid ceilings.

**Door:** .050" thick aluminum drop down door and lens retaining angles. Optional 18 GA stainless steel door provided only when specified.

**Latches:** Stainless steel captive phillips head screws with cage nuts.

**Shielding:** Asymmetric acrylic lens with silver based 3/8" grid pattern to provide RFI shielding and clear polycarbonate underlay. Meets MIL standards for EMI suppression.

**Gasketing:** Closed cell foam gasket above inner door edges and around perimeter of housing flange.

**Compliance:** ETL(US/Canada). Complies with FCC Part 18 and MIL-STD 461C, D & E for control of radiated and conducted electromagnetic interference (EMI). Sealed and gasketed, meets standards set forth in IP65.

**Lamps:** Various lamp configurations available. All lamps included.

**Electrical:** T8 magnetic ballasts standard. Electronic ballasts available. One RIF suppressor per circuit installed in wireway. Optional battery backup available for switching to generator backup circuit.

**Mounting:** Universal housing for plaster or drywall and up to 1-1/2" grid ceilings. Units to be secured above plenum with cable, rod or chain by others. Grid: inverted T-Grid ceiling system by others. Flange: Two 18 GA stainless steel cross mounting yokes provided. Optional 3/4" deep 18 GA stainless steel plaster frame angle, field assembled, supplied only when specified.

**Finish:** All metal components pretreated and finished with white powder coating 90% reflectance. Optional stainless door available. Antimicrobial: Agion™ Antimicrobial protection using silver technology inhibits bacterial colonization on interior and exterior surfaces. Agion™ antimicrobial FDA recognized and EPA registered, meeting all applicable EPA standards.

### Specifier's Reference

<b>Project Name</b>	<b>Type</b>
<b>Catalog No.</b>	
<b>Comments</b>	

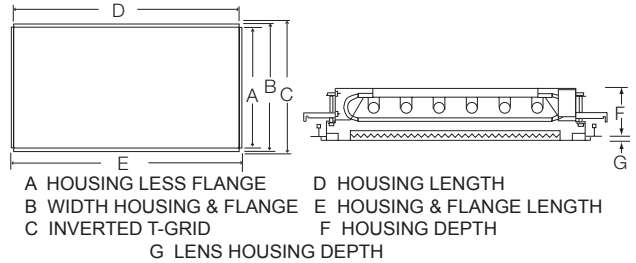
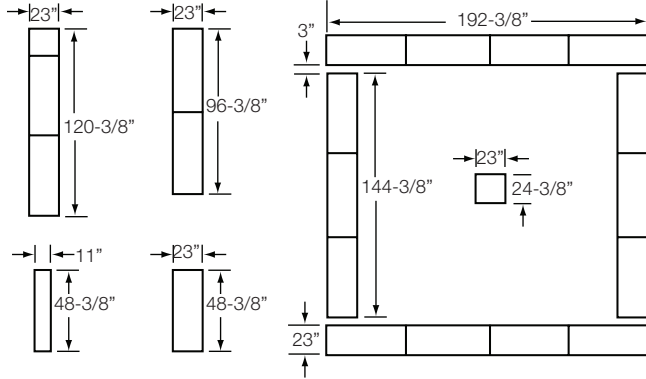


## Ordering Information

SERIES	NUMBER LAMPS	MOUNTING STYLE	BALLAST	VOLTAGE	LENS	OPTIONS
<b>Ag1924</b> 2X4 Sealed Surgical Troffer with 41K 32W lamps & 3 RIF suppressors supplied	<b>-6</b> 6 Lamps - requires (3) 2-lamp ballasts <b>-8</b> 8 Lamps - requires (2) 2-lamp ballasts and (1) 4-lamp ballast	<b>-R</b> Recessed Mounted For up to a 1-1/2" lay-in grid ceiling or for plaster and dry-wall ceilings	<b>-T8EL</b>	<b>-120V</b>  <b>-277V</b>	<b>-A</b> Asymmetrical (standard) <b>-S</b> Symmetrical	<b>-EMP1+</b> Emergency power pack for 1 circuit, 1 lamp <b>-EMP2+</b> Emergency power pack for 1 circuit, 2 lamps <b>-GMF</b> GMF slow blow fuse and fuse holder <b>-FH</b> GLR fuse and HLR holder set <b>-PF</b> Plaster frame <b>-GL</b> 2-green lamps in lieu of 2-white lamps

## Mounting & Dimensions

Flange Rough-in Dimensions



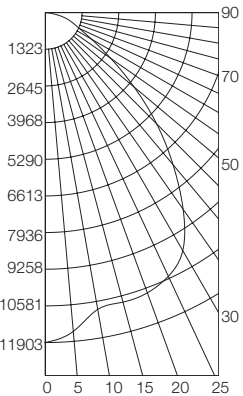
	A	B	C	D	E	F	G
2X4	22-3/4"	23-3/4"	24"	48"	49"		
2X2	22-3/4"	23-3/4"	24"	24"	25"	4-1/2"	5/16"
1X4	10-3/4"	11-3/4"	12"	48"	49"		

## Photometrics

Catalog #Ag1924-6-R-T8EL

Luminaire Efficiency: 74.8%  
Lamps: 6 - F032/T8/735  
Input Wattage: 192 Watts  
Ballast Type: Electronic  
Ballast Factor: 1.0

Floor Ceilings Walls(%)	80%			20%			70%			50%		
	70	50	30	10	70	50	30	10	50	30	10	
0	89	89	89	89	87	87	87	87	83	83	83	
1	83	80	77	75	81	78	75	73	75	73	71	
2	76	71	67	63	74	70	66	62	67	64	61	
3	70	64	58	54	69	62	58	54	60	56	53	
4	65	57	52	47	64	56	51	47	55	50	46	
5	60	52	46	41	59	51	45	41	50	45	41	
6	56	47	41	37	55	46	41	37	45	40	36	
7	52	43	37	33	51	43	37	33	41	36	33	
8	49	40	34	30	48	39	34	30	38	33	29	
9	46	37	31	27	45	36	31	27	35	30	27	
10	43	34	28	25	42	33	28	25	33	28	24	



Catalog #Ag1924-6-R-T5HO

Luminaire Efficiency: 78.5%  
Lamps: 6 - F054/T5/735  
Input Wattage: 324 Watts  
Ballast Type: Electronic  
Ballast Factor: 1.0

Floor Ceilings Walls(%)	80%			20%			70%			50%		
	70	50	30	10	70	50	30	10	50	30	10	
0	93	93	93	93	91	91	91	91	87	87	87	
1	87	84	81	78	85	82	79	77	78	76	75	
2	80	75	70	66	78	73	69	65	70	67	64	
3	74	67	61	57	72	66	61	56	63	59	56	
4	68	60	54	50	67	59	54	49	57	52	49	
5	63	54	48	44	62	54	48	43	52	47	43	
6	59	50	43	39	58	49	43	39	48	42	39	
7	55	45	39	35	54	45	39	35	44	38	34	
8	51	42	36	31	50	41	35	31	40	35	31	
9	48	38	32	28	47	38	32	28	37	32	28	
10	45	36	30	26	44	35	30	26	34	29	26	

